

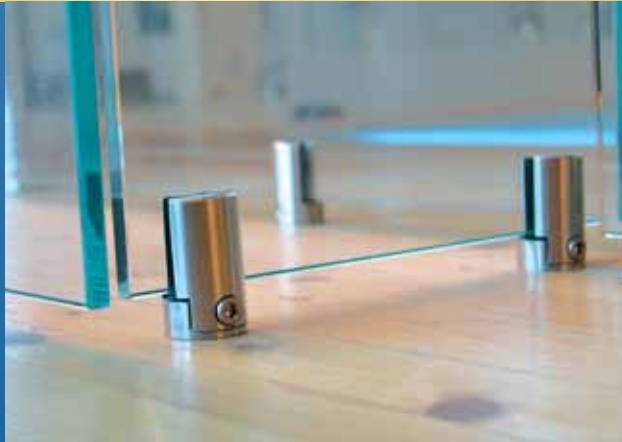
# SHELF SYSTEM ■■

1.00



**[www.sadev.com](http://www.sadev.com)**

Tel : + 33 (0)4 50 08 39 00 - [info@sadev.com](mailto:info@sadev.com) - Fax : + 33 (0)4 50 08 39 49



# SUMMARY



**Round flat fitting for mounting shelves on wall, glass or ceiling**  
 Ref: 08 81 80 & 08 81 82  
 > Page 1.05



**Torsion rod for shelves Ø 8 on wall or ceiling**  
 Ref: 08 85 80  
 > Page 1.06



**Vertical and horizontal shelf support on torsion rod**  
 Ref: 08 88 80 & 08 88 82  
 > Page 1.07



**Vertical and horizontal double shelf support on torsion rod**  
 Ref: 08 88 83 & 08 88 84  
 > Page 1.08



**Shelf support mounted directly on floor or wall**  
 Ref: 08 91 80  
 > Page 1.09



**Shelf support mounted on upright**  
 Ref: 08 91 81  
 > Page 1.10

## SHELF SYSTEM ::

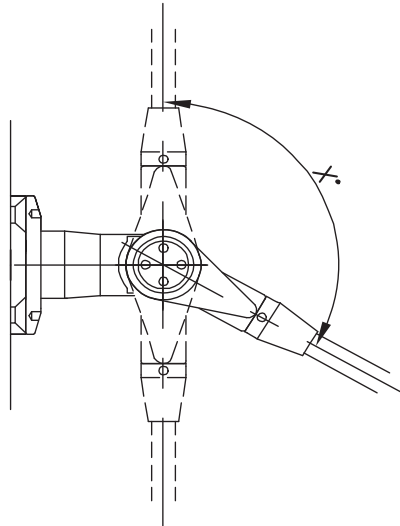
Pages 1.03 >> 1.11

Shelves technical page



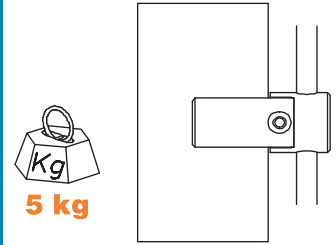
Finish: glass bead or brushed

Arrangement of shelves

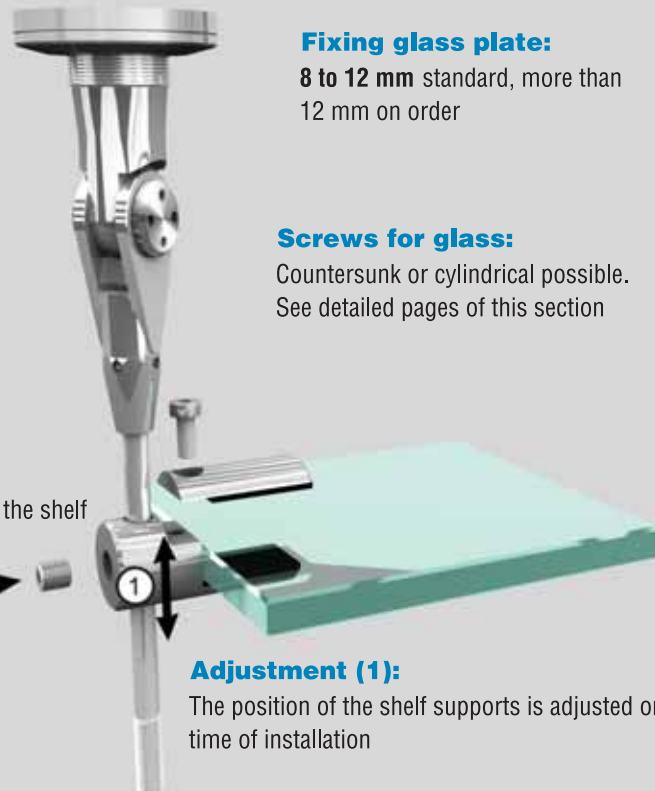
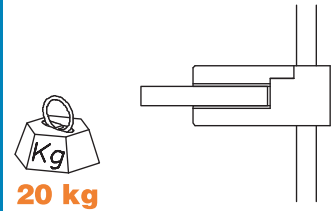


Arrangement of supports

Vertical support



Horizontal support



Fixing glass plate:

8 to 12 mm standard, more than 12 mm on order

Screws for glass:

Countersunk or cylindrical possible. See detailed pages of this section

Tightening (2):

The pressure screw locks the shelf support to the tie rod

Shelf glass:

6 / 8 / 10 / 12 mm

Adjustment (1):

The position of the shelf supports is adjusted on site at the time of installation



Recommendation / use

Tightening of the

**glass:** Monolithic tempered = Min. 15 N.m / Laminated tempered = 5 N.m

Possibility of fixing by gripper in the floor or wall without tie rod, part reference **08 91 80**, see next page

**Screw for fixing to the floor:**

head type countersunk Din 7991 Ø 5. Anchor to be defined according to the nature of the wall. Not supplied by SADEV

If components are damaged they can be replaced upon request.

Order form end of this chapter.

**Shelves technical page**

**Installation and measurement**

**Max. length L**

3 metres max. in all cases

**Max. length V**

Depending on the characteristics of the glass and its thickness

**Length X**

Length to order.

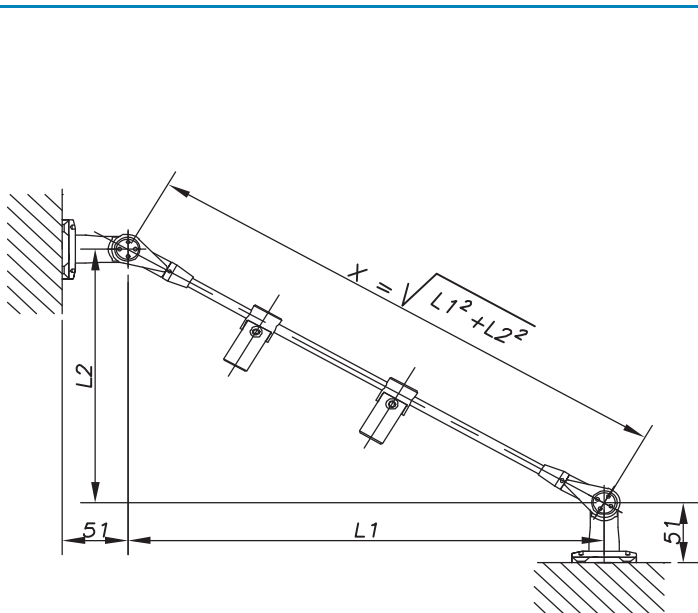
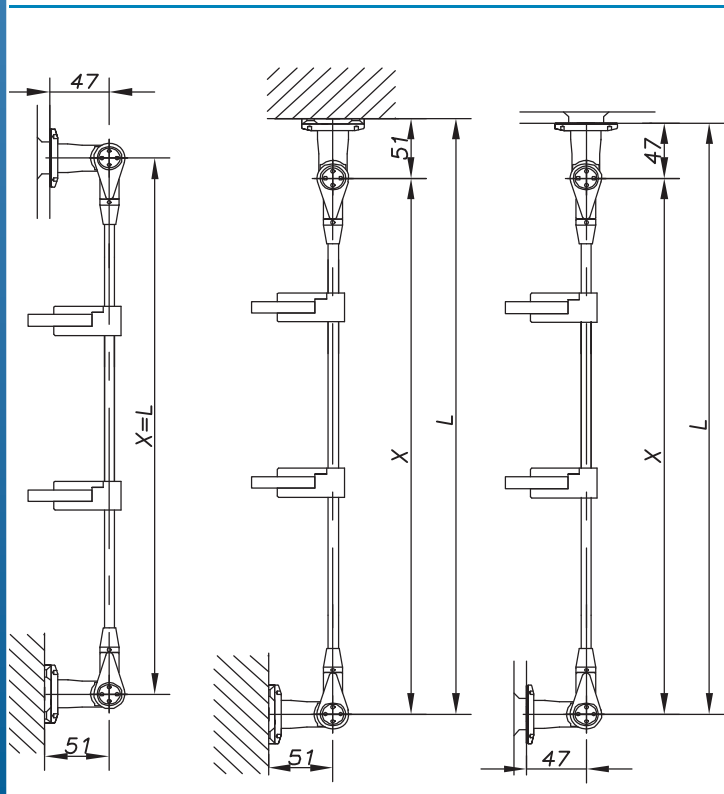
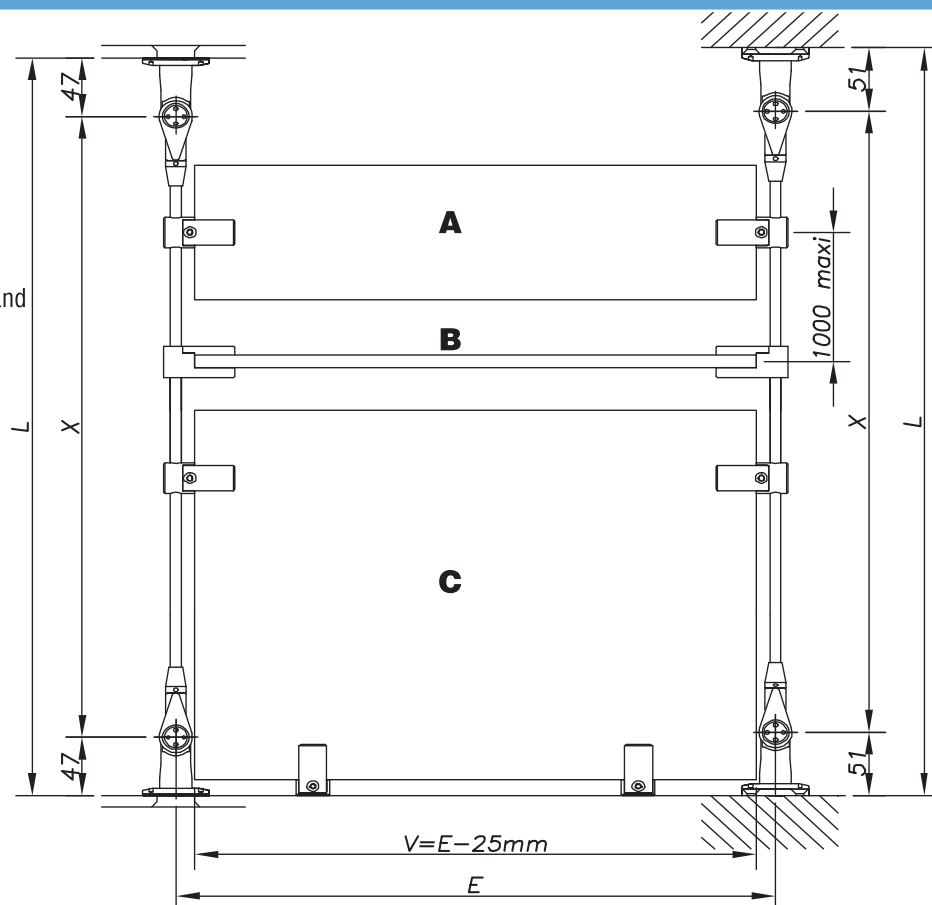
**X MAX = 2890 MM**

**Weight**

Configuration A = 5 kg

Configuration B = 20 kg

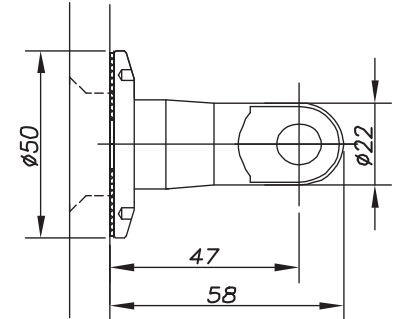
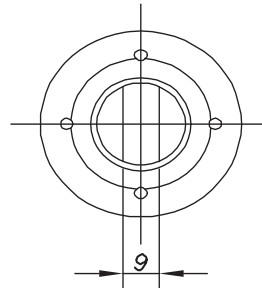
Configuration C = 40 kg



If components are damaged they can be replaced upon request.

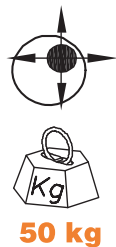
Order form end of this chapter.

<b>Model:</b>	<b>08 81 80</b>
<b>Description:</b>	<b>Shelf fixing plate on glass</b>

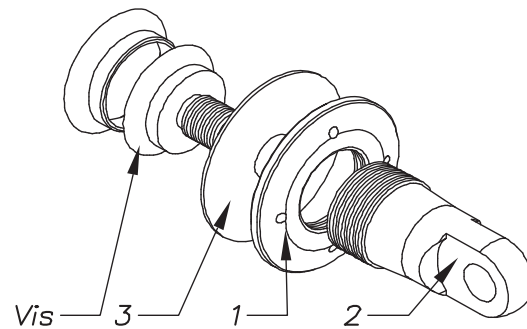


Finish: glass bead or brushed

Warning: dimensions different from reference 08 81 82



50 kg



**Description**

- Cover nut (1)
- Gusset (2)
- Contact washer (3)

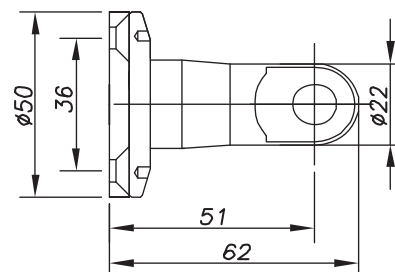
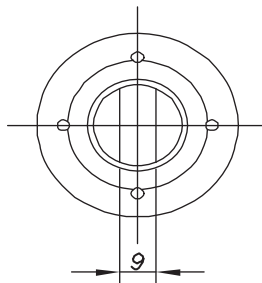
**Weight: 228 g**

Type of screw	Glass thickness	Reference	Glass drilling plan				
	<b>8 to 12</b>	<b>08 81 80 06 11 12</b>					
	Other glass thicknesses on order		<p><b>lead time (cf. page 1)</b></p> <table border="1"> <tr> <td>Qty&lt;10</td> <td>10&lt;Qty&lt;30</td> <td>30&lt;Qty</td> </tr> </table>			Qty<10	10<Qty<30
Qty<10	10<Qty<30	30<Qty					
	<b>8 to 12</b>	<b>08 81 80 06 24 20</b>					
	Other glass thicknesses on order		<p><b>lead time (cf. page 1)</b></p> <table border="1"> <tr> <td>Qty&lt;5</td> <td>5&lt;Qty&lt;10</td> <td>10&lt;Qty</td> </tr> </table>			Qty<5	5<Qty<10
Qty<5	5<Qty<10	10<Qty					

If components are damaged they can be replaced upon request.

Order form end of this chapter.

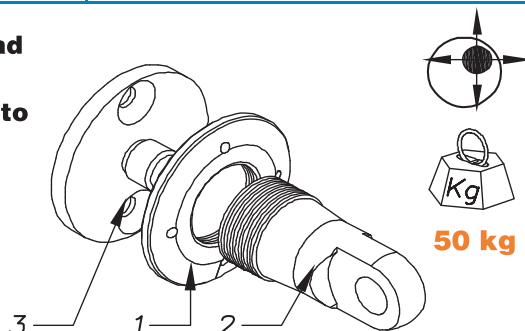
<b>Model:</b>	<b>08 81 82</b>
<b>Description:</b>	Shelf fixing plate on wall or ceiling



Finish: glass bead or brushed

Warning: dimensions different from reference 08 81 80

**Screw for fixing to the floor: head type countersunk Din 7991 Ø 5. Anchor to be defined according to the nature of the wall. Not supplied by SADEV**

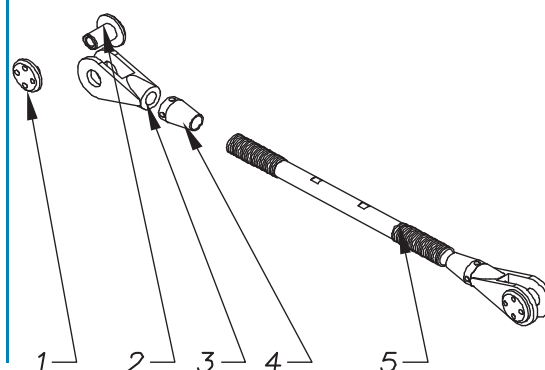


**Description**

- Cover nut (1)
- Gusset (2)
- Wall fixing flange (3)

<b>Reference</b>	08 81 82	<b>lead time (cf. page 1)</b>			<b>Weight: 253 g</b>
		Qty<10	10<Qty<30	30<Qty	

<b>Model:</b>	<b>08 85 80</b>
<b>Description:</b>	Tie rod for shelves Ø 8

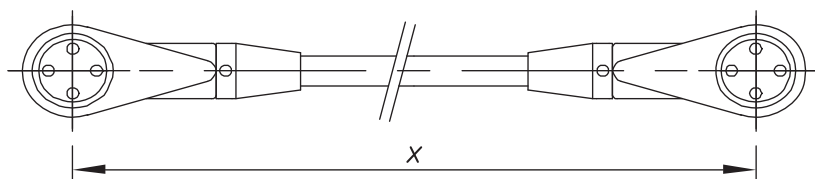


**Description**

- Shaft nut (1)
- Shaft screw (2)
- Yoke (3)
- Conical nut (4)
- Tie rod (5)

**Weight = 152 g (yokes & nuts) + 314 g / metre (tie rod only)**

Finish: glass bead or brushed




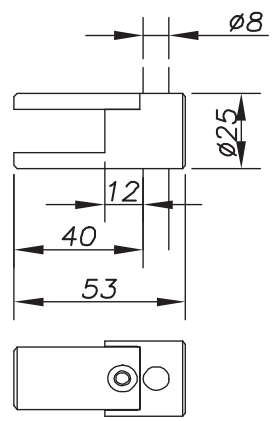
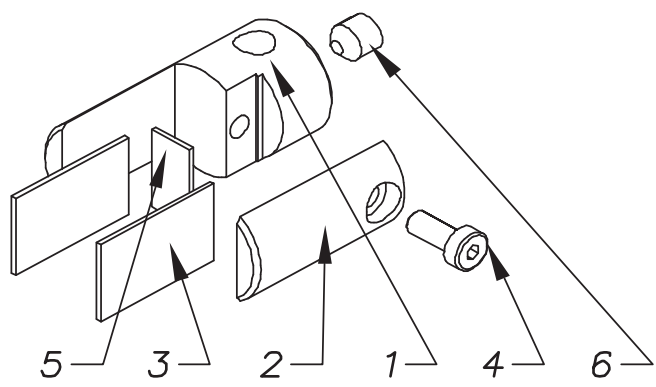

**Max standard X = 2890 mm / others on request**


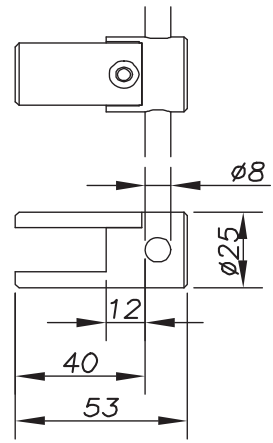
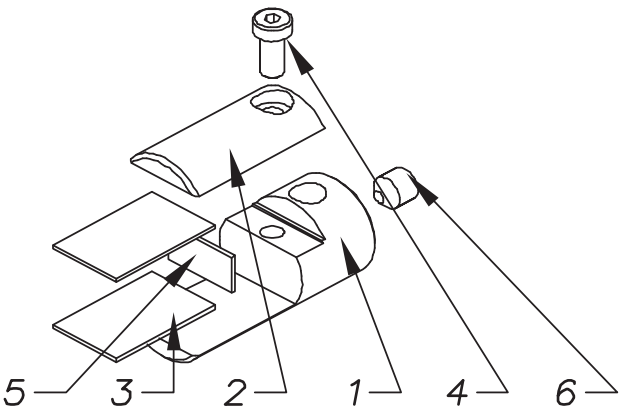

The length of the tie rod to order depends on how the plates are installed. Refer to page 1.04 of this section to calculate X

<b>Reference</b>	08 85 80 - X With X between centres of the tie rod in mm. Eq.: 08 85 80 - 2450	<b>lead time (cf. page 1)</b>		
		Qty<5	5<Qty<20	20<Qty

If components are damaged they can be replaced upon on request.

Order form end of this chapter.

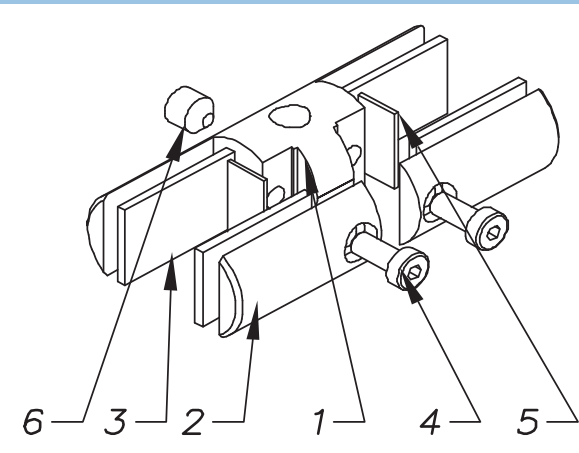
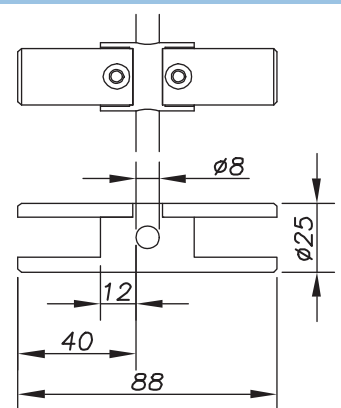
<b>Model:</b>	<b>08 88 80</b>
<b>Description:</b>	<b>Vertical shelf support on tie rod</b>
	 
Finish: glass bead or brushed	
<b>Glass thickness</b>	<b>Reference</b>
<b>6</b>	<b>08 88 80 V6</b>
<b>8</b>	<b>08 88 80 V8</b>
<b>10</b>	<b>08 88 80 V10</b>
<b>12</b>	<b>08 88 80 V12</b>
 <p>Locking screw (4)      Vertical gripper (1)</p> <p>EPDM protection (5)      Flange (2)</p> <p>Tightening screw (6)      EPDM protection (3)</p> <p><b>Weight: 143 g</b></p>	
<b>lead time (cf. page 1)</b>	
Qty<20	20<Qty<50
50<Qty	

<b>Model:</b>	<b>08 88 82</b>
<b>Description:</b>	<b>Horizontal shelf support on tie rod</b>
	 
Finish: glass bead or brushed	
<b>Glass thickness</b>	<b>Reference</b>
<b>6</b>	<b>08 88 82 V6</b>
<b>8</b>	<b>08 88 82 V8</b>
<b>10</b>	<b>08 88 82 V10</b>
<b>12</b>	<b>08 88 82 V12</b>
 <p>Locking screw (4)      Horizontal gripper (1)</p> <p>EPDM protection (5)      Flange (2)</p> <p>Tightening screw (6)      EPDM protection (3)</p> <p><b>Weight: 143 g</b></p>	
<b>lead time (cf. page 1)</b>	
Qty<20	20<Qty<50
50<Qty	

If components are damaged they can be replaced upon request.  
 Order form end of this chapter.

**Model:** 08 88 83

**Description:** Dual vertical shelf support on tie rod



Finish: glass bead or brushed

Glass thickness (mm)	Reference
6	08 88 83 V6
8	08 88 83 V8
10	08 88 83 V10
12	08 88 83 V12



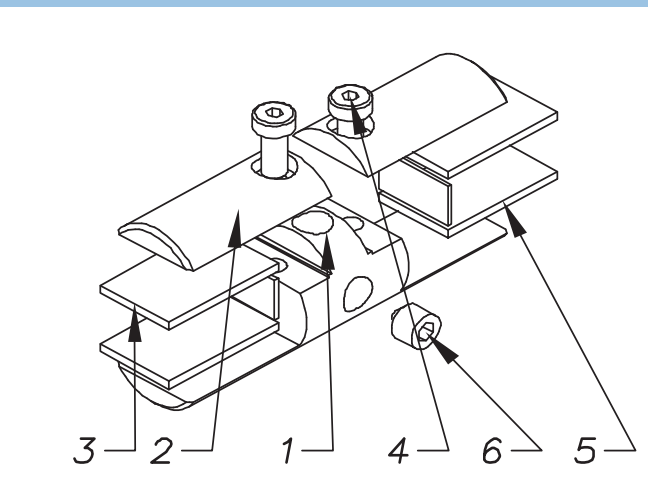
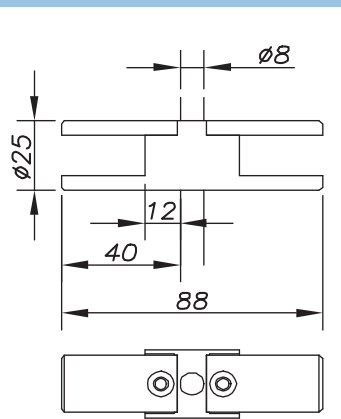
- Description**
- Body (1) EPDM (3) Shim (5)
  - Flange (2) Tightening screw (4) Pressure screw (6)

**Weight: 280 g**

lead time (cf. page 1)		
Qty<20	20<Qty<50	50<Qty

**Model:** 08 88 84

**Description:** Dual horizontal shelf support on tie rod



Finish: glass bead or brushed

Glass thickness (mm)	Reference
6	08 88 84 V6
8	08 88 84 V8
10	08 88 84 V10
12	08 88 84 V12



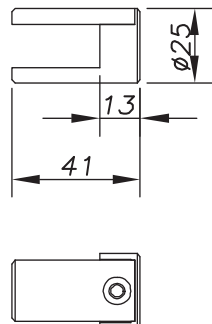
- Description**
- Body (1) EPDM (3) Shim (5)
  - Flange (2) Tightening screw (4) Pressure screw (6)

**Weight: 280 g**

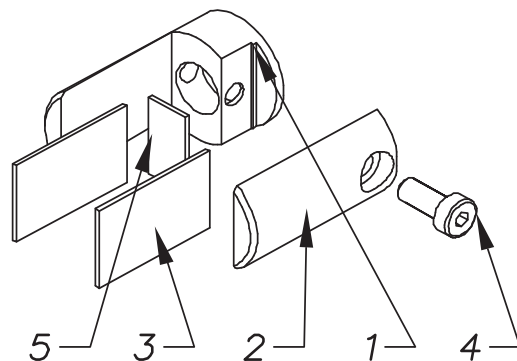
lead time (cf. page 1)		
Qty<20	20<Qty<50	50<Qty

If components are damaged they can be replaced upon request.  
 Order form end of this chapter.

<b>Model:</b>	<b>08 91 80</b>
<b>Description:</b>	<b>Shelf support for direct fitting to floor or wall</b>



**50 kg**



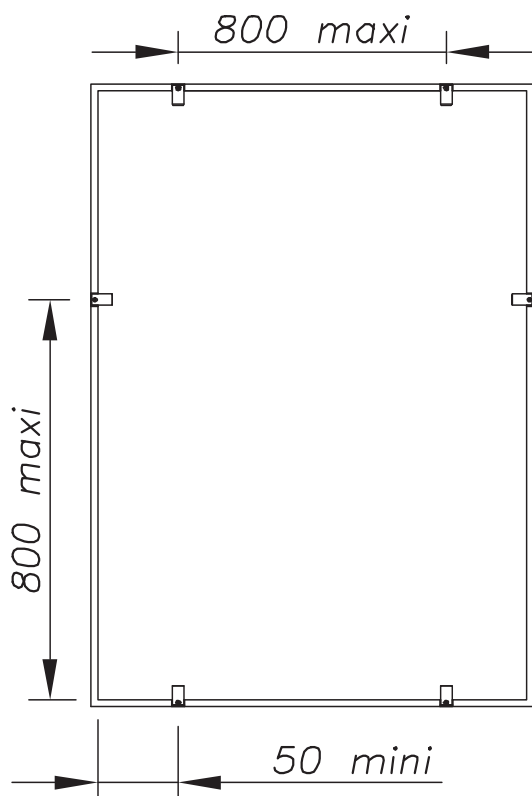
Finish: glass bead or brushed

Glass thickness (mm)	Reference	Description
<b>6</b>	<b>08 91 80 V6</b>	Gripper for floor / wall (1)      Glass tightening screw (4)
<b>8</b>	<b>08 91 80 V8</b>	Flange (2)      EPDM shim (5)
<b>10</b>	<b>08 91 80 V10</b>	EPDM (3) <b>Weight: 137 g</b>
<b>12</b>	<b>08 91 80 V12</b>	

**lead time (cf. page 1)**

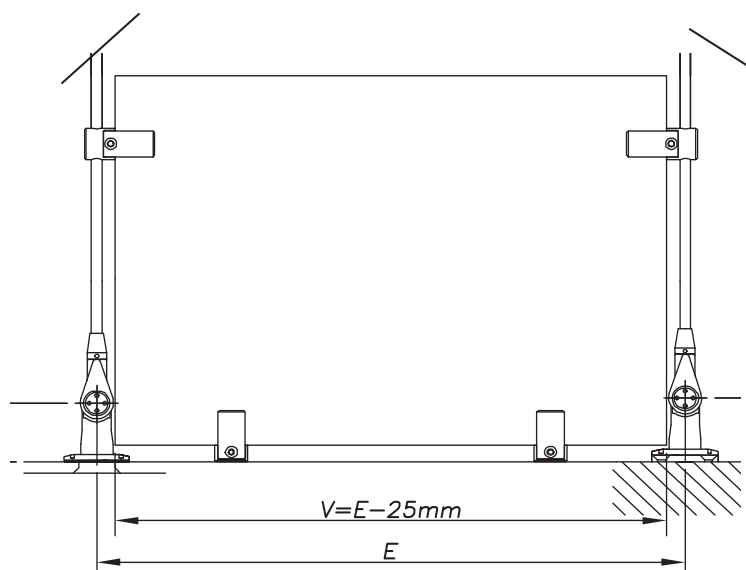
Qty<20	20<Qty<50	50<Qty
--------	-----------	--------

**Example of application**



**Screw (wall / floor):**

Din 7991 Ø 5 type countersunk head screw.  
Anchor to be defined according to the nature of the wall. Not supplied by SADEV

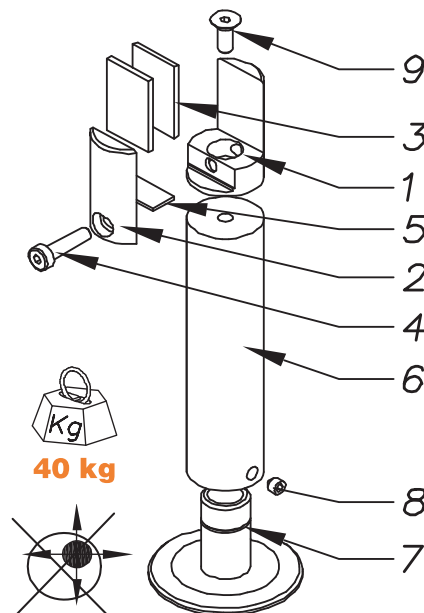
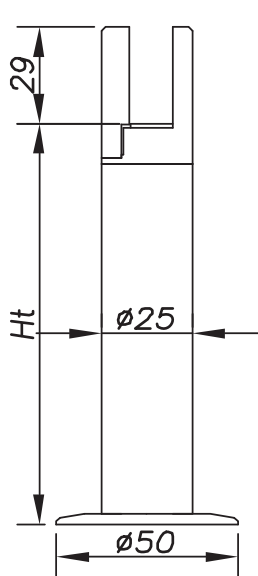


If components are damaged they can be replaced upon on request.

Order form end of this chapter.

**Model:** 08 91 81 / 82 / 83 / 84

**Description:** Shelf support for fitting on pin



**Description**

- Gripper (1)
- Flange (2)
- EPDM protection (3)
- Tightening screw (4)
- Polyacetal protection (5)
- Support body (6)
- Base plate (7)
- Locking screw (8)
- Connecting screw (9)

Finish: glass bead or brushed



Height (H)	Glass thickness	Reference	Weight (g)	Example of application
<b>71 mm</b>	<b>6</b>	08 91 81 V6	<b>360 g</b>	<p><b>Screw (wall / floor):</b> Din 7991 Ø 5 type countersunk head screw. Anchor to be defined according to the nature of the wall. Not supplied by SADEV</p>
	<b>8</b>	08 91 81 V8		
	<b>10</b>	08 91 81 V10		
	<b>12</b>	08 91 81 V12		
<b>91 mm</b>	<b>6</b>	08 91 82 V6	<b>425 g</b>	
	<b>8</b>	08 91 82 V8		
	<b>10</b>	08 91 82 V10		
	<b>12</b>	08 91 82 V12		
<b>121 mm</b>	<b>6</b>	08 91 83 V6	<b>520 g</b>	
	<b>8</b>	08 91 83 V8		
	<b>10</b>	08 91 83 V10		
	<b>12</b>	08 91 83 V12		
<b>171 mm</b>	<b>6</b>	08 91 84 V6	<b>685 g</b>	
	<b>8</b>	08 91 84 V8		
	<b>10</b>	08 91 84 V10		
	<b>12</b>	08 91 84 V12		
<b>lead time</b> (cf. page 1)				
<b>Qty&lt;25</b>		<b>25&lt;Qty&lt;50</b>		<b>50&lt;Qty</b>

If components are damaged they can be replaced upon request.  
Order form end of this chapter.

Price request Order 

## Shelf system order form

Customer name: Interlocutor: Date: Project name: Your phone number: DISCOUNT Your fax: 

Type of part	Reference	Finish	Qty	Price	
Shelf fixing plate on glass	08 81 80 06 11 12	Brushed – Glass bead*			
	08 81 80 06 24 20	Brushed – Glass bead*			
Fixing plate on wall	08 81 82	Brushed – Glass bead*			
Tie rod Ø 8	08 85 80 < 1500 mm	Brushed – Glass bead*			
	1500 mm < 08 85 80 < 3000	Brushed – Glass bead*			
Single vertical shelf support	08 88 80 V6	Brushed – Glass bead*			
	08 88 80 V8	Brushed – Glass bead*			
	08 88 80 V10	Brushed – Glass bead*			
	08 88 80 V12	Brushed – Glass bead*			
Dual vertical shelf support	08 88 83 V6	Brushed – Glass bead*			
	08 88 83 V8	Brushed – Glass bead*			
	08 88 83 V10	Brushed – Glass bead*			
	08 88 83 V12	Brushed – Glass bead*			
Single horizontal shelf support	08 88 82 V6	Brushed – Glass bead*			
	08 88 82 V8	Brushed – Glass bead*			
	08 88 82 V10	Brushed – Glass bead*			
	08 88 82 V12	Brushed – Glass bead*			
Dual horizontal shelf support	08 88 84 V6	Brushed – Glass bead*			
	08 88 84 V8	Brushed – Glass bead*			
	08 88 84 V10	Brushed – Glass bead*			
	08 88 84 V12	Brushed – Glass bead*			
Shelf support on wall	08 91 80 V6	Brushed – Glass bead*			
	08 91 80 V8	Brushed – Glass bead*			
	08 91 80 V10	Brushed – Glass bead*			
	08 91 80 V12	Brushed – Glass bead*			
Glass pin on floor	Height 71 mm	08 91 81 V6	Brushed – Glass bead*		
		08 91 81 V8	Brushed – Glass bead*		
		08 91 81 V10	Brushed – Glass bead*		
		08 91 81 V12	Brushed – Glass bead*		
	Height 91 mm	08 91 82 V6	Brushed – Glass bead*		
		08 91 82 V8	Brushed – Glass bead*		
		08 91 82 V10	Brushed – Glass bead*		
		08 91 82 V12	Brushed – Glass bead*		
	Height 121 mm	08 91 83 V6	Brushed – Glass bead*		
		08 91 83 V8	Brushed – Glass bead*		
		08 91 83 V10	Brushed – Glass bead*		
		08 91 83 V12	Brushed – Glass bead*		
	Height 171 mm	08 91 84 V6	Brushed – Glass bead*		
		08 91 84 V8	Brushed – Glass bead*		
		08 91 84 V10	Brushed – Glass bead*		
		08 91 84 V12	Brushed – Glass bead*		

\* Delete as inappropriate