

RC 70

Designation : clamp swivel fitting

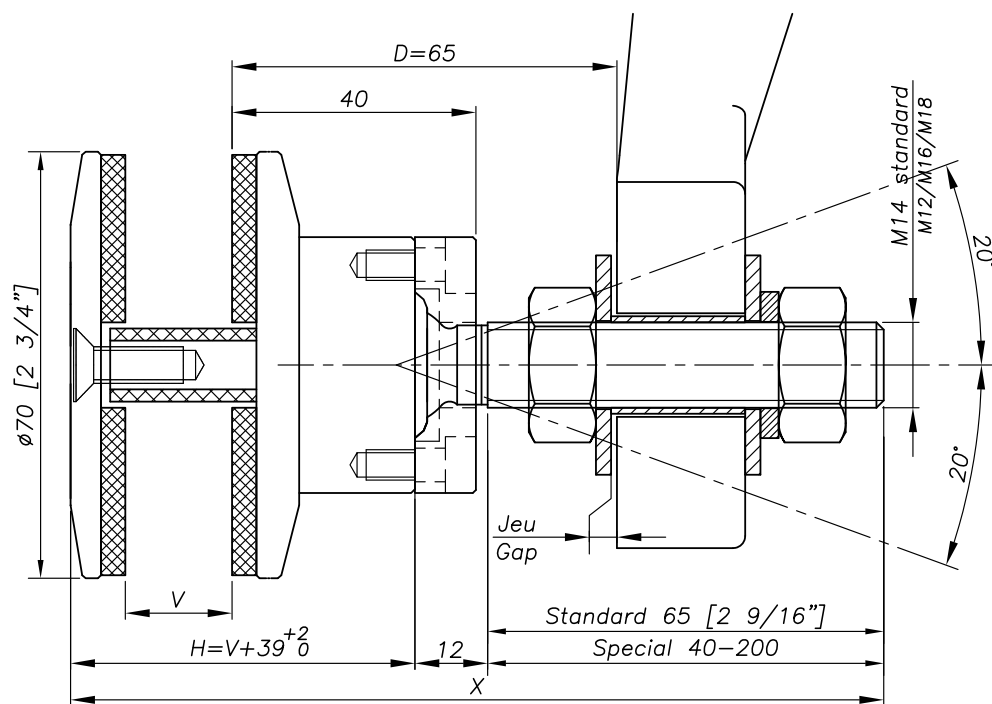


REFERENCE TO ORDER			
GLASS THICKNESS	Ø AXIS	LENGTH AXIS (mm)	ARTICLE CODE
$8 \leq V \leq 15$	M14	65	RC70-V1
$15 < V \leq 22$	M14	65	RC70-V2
$22 < V \leq 26$	M14	65	RC70-V3
SPECIAL	SPECIAL	SPECIAL	RC70-SP

Patent N° 9806556

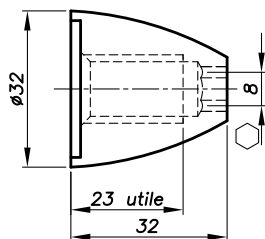
Technical advice available online at : www.sadev.com

Dimensions

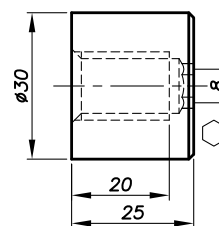


V* = glass thickness.

MONTI M14 OPTION

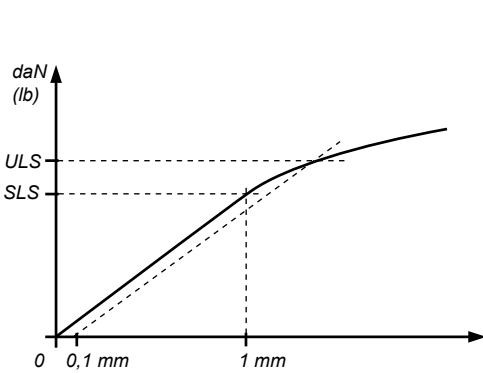


3025 M14 OPTION

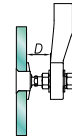


No glass drilling

Mechanical performances

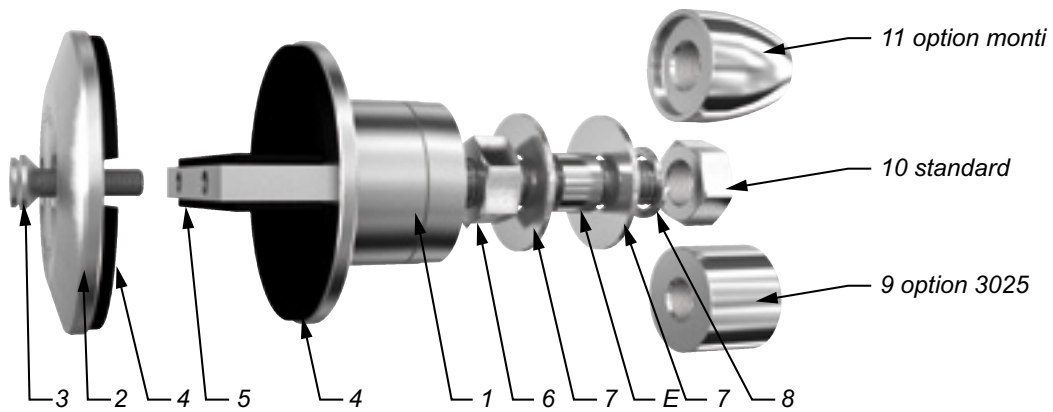


	BENDING CAPACITY			PULL OUT CAPACITY
	D	SLS*	ULS*	ULS*
M 14	45mm	344 daN (773 lb)	577 daN (1297 lb)	2000 daN (4496 lb)
	60mm	153 daN (343 lb)	364 daN (818 lb)	
M16	45mm	504 daN (1133 lb)	827 daN (1859 lb)	
	60mm	253 daN (568 lb)	525 daN (1180 lb)	



*SLS – Serviceability Limit State : load at 1mm deformation
 *ULS – Ultimate Limit State : load at the elastic limit (Rp0.1).
 Values are given without factor of safety.
 Tests available online : www.sadev.com

Components



MARK	QUANTITY	DESIGNATION	MATERIAL
1	1	Swivel fittings body	X2 Cr Ni Mo 17.12.2 as per EN 10088-3
2	1	External plate	X2 Cr Ni Mo 17.12.2 as per EN 10088-3
3	2	Bolt DIN 7991 M6 x25	A4
4	4	Security disk	EPDM
5	2	Protection plate	EPDM
6	1	Nut DIN 934	A4
7	2	Washer	A4
8	1	Washer DIN127	A4
9	1	Option 3025	A4
10	1	Nut DIN 934	A4
11	1	Monti option	A4

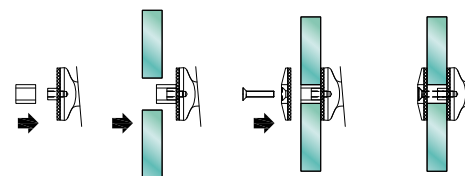
Suggested mounting

Install the nut (# 6) + 1 washer (#7) on part (#1).

Install through the hole in the support or spider casting. Spacer E over threads to prevent fitting from fully tightening on support for differential movements between structure and glass support (supplied on request). Adjust depth in or out as needed.

Mounting other washer (#7) and lock washer (#8) + nut (#9, 10 (standard), or 11) and torque to 60 Nm (45 ft lbs). Set glass on gravity shelf with EPDM (#5) setting block.

Mount the external disc (#2) with EPDM (#4) washer between glass and metal using 2 screws (#3) provided. Torque screws to 20 Nm (15 ft lbs) for monolithic glass and 10 Nm (8 ft lbs) for laminated (PVB) glass using a 4mm hex wrench.



Sadev recommends using tread locker on the external clamping screws on exterior applications.