

S 4000 P

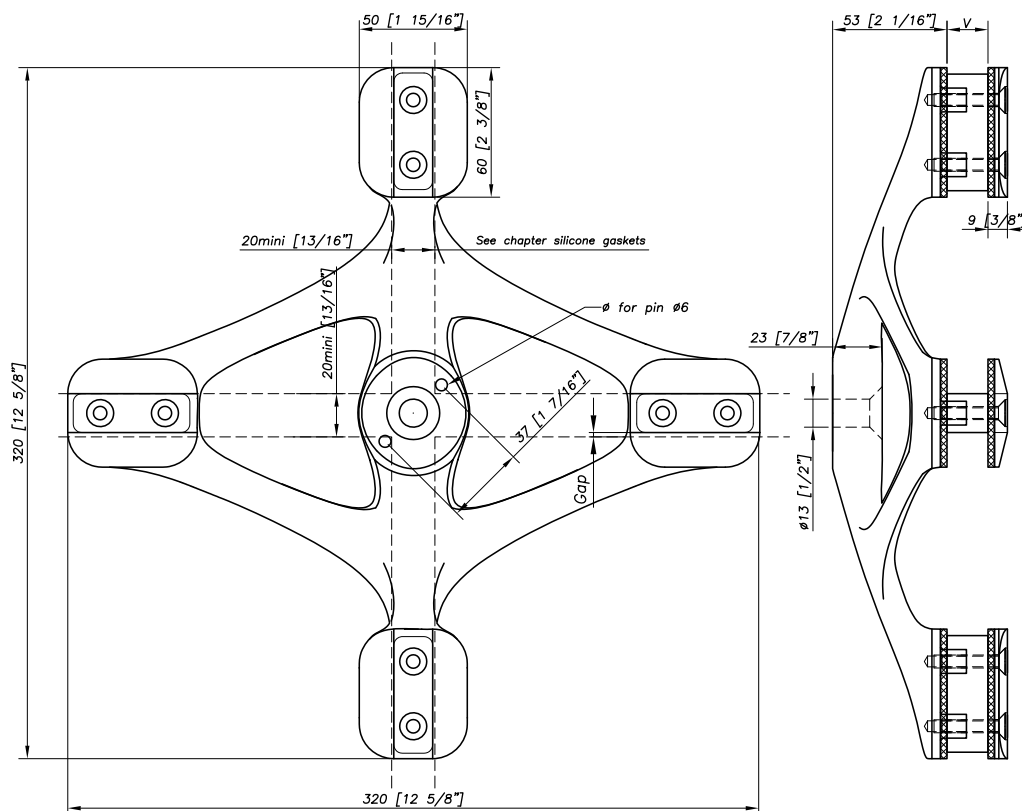
Designation : stainless steel clamp spider



Material : AISI316
Finish : brushed GR 400

GLASS SIDE VIEW

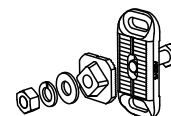
Dimensions



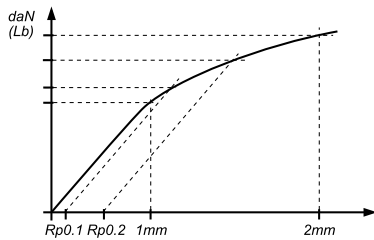
References

GLASS THICKNESS	REFERENCE
$8 \leq V \leq 15,52$	S4000P-E4-V1
$17,52 < V \leq 25,52$	S4000P-E4-V2
$26,52 < V \leq 31,52$	S4000P-E4-V3
$V \geq 31,52$	S4000P-E4-SP

Omega cone available as option (see p. 8.24)

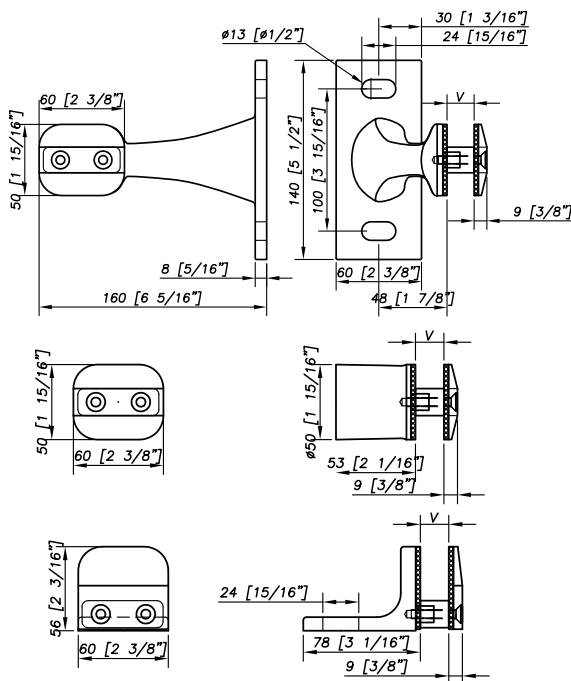


Mechanical performances



S 4000P	LOAD PARALLEL TO GLASS per arm	S 4000P	LOAD PERPENDICULAR TO GLASS per arm		
	1 mm	196 daN (440 lb)		1 mm	174 daN (391 lb)
	2 mm	329 daN (739 lb)		2 mm	329 daN (739 lb)
	Rp 0,1	871 daN (1958 lb)		Rp 0,1	310 daN (696 lb)
	Rp 0,2	974 daN (2189 lb)		Rp 0,2	355 daN (798 lb)
S 4100P	LOAD PARALLEL TO GLASS per arm	S 4100P	LOAD PERPENDICULAR TO GLASS per arm		
	1 mm	372 daN (836 lb)		1 mm	247 daN (555 lb)
	2 mm	505 daN (1135 lb)		2 mm	442 daN (993 lb)
	Rp 0,1	309 daN (694 lb)		Rp 0,1	314 daN (705 lb)
	Rp 0,2	360 daN (809 lb)		Rp 0,2	385 daN (865 lb)

Components



GLASS THICKNESS	REFERENCES
$8 \leq V \leq 15,52$	S4100P - V1
$17,52 < V \leq 25,52$	S4100P - V2
$26,52 < V \leq 31,52$	S4100P - V3
$V \geq 31,52$	S4100P - SP
GLASS THICKNESS	REFERENCES
$8 \leq V \leq 15,52$	S4200P - V1
$17,52 < V \leq 25,52$	S4200P - V2
$26,52 < V \leq 31,52$	S4200P - V3
$V \geq 31,52$	S4200P - SP
GLASS THICKNESS	REFERENCES
$8 \leq V \leq 15,52$	S3S4P75 - V1
$17,52 < V \leq 25,52$	S3S4P75 - V2
$26,52 < V \leq 31,52$	S3S4P75 - V3
$V \geq 31,52$	S3S4P75 - SP

Suggested mounting

Mounting of the spiders on the structure

S4000P

If mounting directly to the structure anti-rotation pins are recommended to prevent the clamps from rotating. The diameter of the anti-rotation pins is 6 mm. Do not pre-drill the holes for the pins in your structure before mounting spiders. Drill bits and anti-rotation are provided.

An alternate attachment interface (Omega) is available. The Omega interface allows for vertical adjustment of the clamp fitting to account for tolerances in the drilling of the structural steel.

The fixing of the spider is done with a M12 (1/2 in.) Flat head screw (Not supplied by Sadev). A vertical slot in the structural steel for vertical adjustment is not recommended due to the high dead load weight of the glass.

Installing the glass

Mount the gravity shelf to the spider casting. Install the glass panel and secure with the external clamp plate using M6 screws provided. Torque both screws to 20 Nm (15 ft lbs) for monolithic glass and 10Nm (8 ft lbs) for laminated (PVB) glass.

Sadev recommends using tread locker on the external clamping screws on exterior applications.

S4100P

Attaching the spider to the vertical fin or support is done with two M12 (1/2 in.) bolts (not supplied by Sadev).

S4200P / S3S4P75

The fixing of the single point clamp is done with one M12 bolts (Not supplied by Sadev).

