
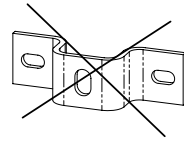


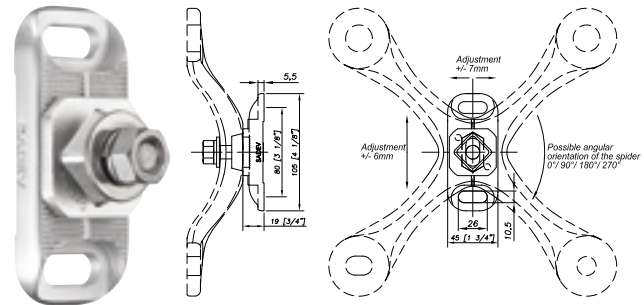
# Cone Omega

Designation : cone omega for vertical mounting

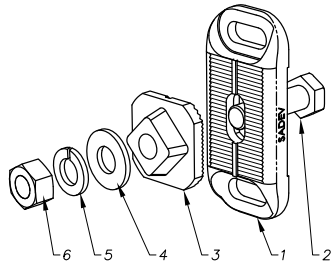
	<p><b>SETTING (1)</b> Adjustment of +/- 5 mm horizontally and vertically</p>		<p>Vertical use compulsory</p>
-----------------------------------------------------------------------------------	----------------------------------------------------------------------------------	-----------------------------------------------------------------------------------	--------------------------------

REFERENCE	
S3000-OMEGA-R	AISI 316 Stainless steel model for S3006 Vertech spider

Patented model n° 0905034




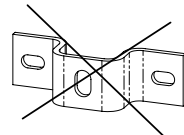
## Fastenings kit for cone omega



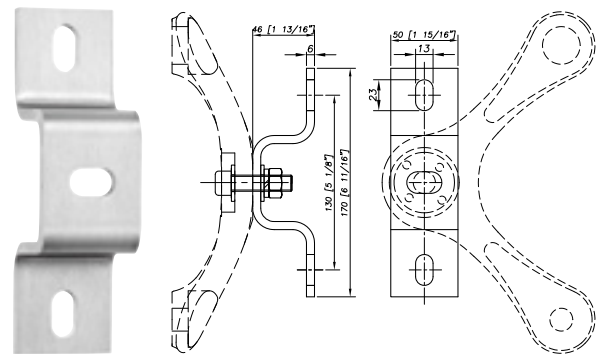
MODEL FOR S3000 SPIDERS	
KIT-OM-VIS-S3000	
1 – Omega	4 – Washer M12
2 – Bolt H M12	5 – Washer grower
3 – Anti-rotation plate	6 - Nut M12

# Bended Omega

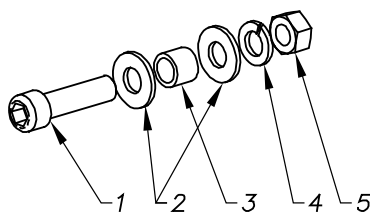
Designation : bended omega for vertical mounting

	<p><b>SETTING (1)</b> Adjustment of +/- 5 mm horizontally and vertically</p>		<p>Vertical use compulsory</p>
-------------------------------------------------------------------------------------	----------------------------------------------------------------------------------	-------------------------------------------------------------------------------------	--------------------------------

REFERENCE FOR SPIDERS S3000, S3001, S3003, S3007	
OMEGA-IN12V	AISI 316L Stainless steel model dull polished Painted
OMEGA-IN12V-R	AISI 316L Stainless steel model with your needed RAL-colour




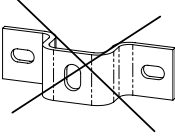
## Fastenings kit for bended omega



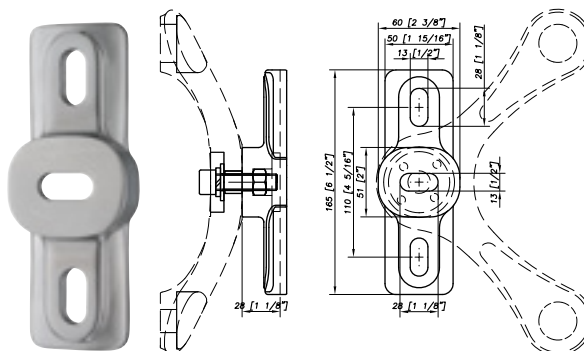
MODEL FOR S3000 SPIDERS	KIT FOR S3001, S3003 AND S3007 SPIDERS
KIT-OM-VIS-S3000	KIT-OM-VIS-S300137
1 – M12 bolt	1 – M12 bolt
2 – Washer for M12	2 – Washer for M12
3 – Insert (S3000 only)	4 – grower washer
4 – Grower washer	5 – M12 nut
5 – M12 nut	

# Tube Omega

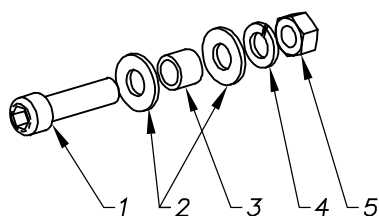
Designation : Omega for fixation on tube Ø70 at 120 mm

	<p><b>SETTING (1)</b> Adjustment of +/- 5 mm horizontally and vertically</p>		<p>Vertical use compulsory</p>
-----------------------------------------------------------------------------------	----------------------------------------------------------------------------------	-----------------------------------------------------------------------------------	--------------------------------

REFERENCE	
OMEGA-TUB-IN12V	Omega for fixation for S3000, S3001 EVO, S3003, S3007




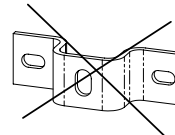
## Fastenings kit for tube omega



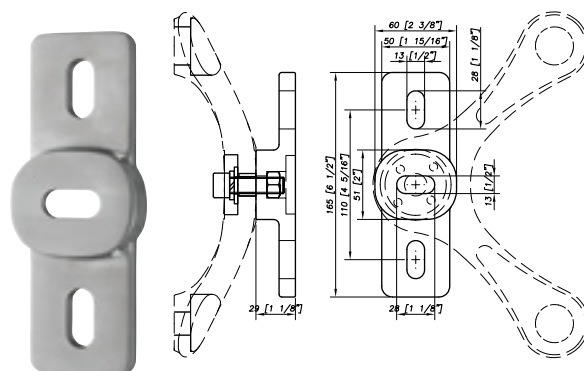
MODEL FOR 3000 SPIDERS	KIT FOR S 3001 EVO, S3003 AND S3007 SPIDERS
KIT-OM-TUB-VIS-S3000	KIT-OM-TUB-VIS-S3001
<ul style="list-style-type: none"> <li>1 – M12 bolt</li> <li>2 – Washer for M12</li> <li>3 – Insert (S3000 only)</li> <li>4 – Grower washer</li> <li>5 – M12 nut</li> </ul>	<ul style="list-style-type: none"> <li>1 – M12 bolt</li> <li>2 – Washer for M12</li> <li>4 – grower washer</li> <li>5 – M12 nut</li> </ul>

# Flat Omega

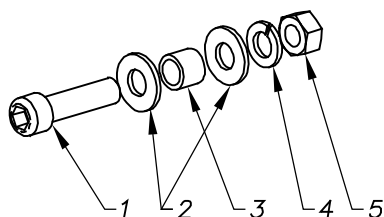
Designation : Omega for fixation on flat support

	<p><b>SETTING (1)</b> Adjustment of +/- 5 mm horizontally and vertically</p>		<p>Vertical use compulsory</p>
-------------------------------------------------------------------------------------	----------------------------------------------------------------------------------	-------------------------------------------------------------------------------------	--------------------------------

REFERENCE	
OMEGA - PLA-IN 12V	Omega for fixation for S3000, S3001 EVO, S3003, S3007



## Fastenings kit for flat omega



MODEL FOR S3000 SPIDERS	KIT FOR S 3001 EVO, S3003 AND S3007 SPIDERS
KIT-OM-VIS-S3000	KIT-OM-VIS-S300137
<ul style="list-style-type: none"> <li>1 – M12 bolt</li> <li>2 – Washer for M12</li> <li>3 – Insert (S3000 only)</li> <li>4 – Grower washer</li> <li>5 – M12 nut</li> </ul>	<ul style="list-style-type: none"> <li>1 – M12 bolt</li> <li>2 – Washer for M12</li> <li>4 – grower washer</li> <li>5 – M12 nut</li> </ul>