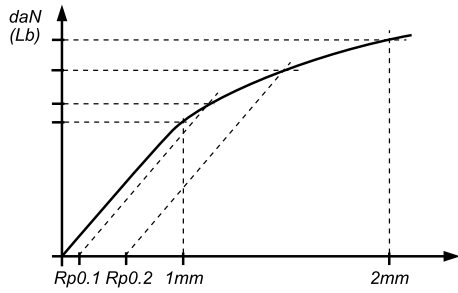


Mechanical performances



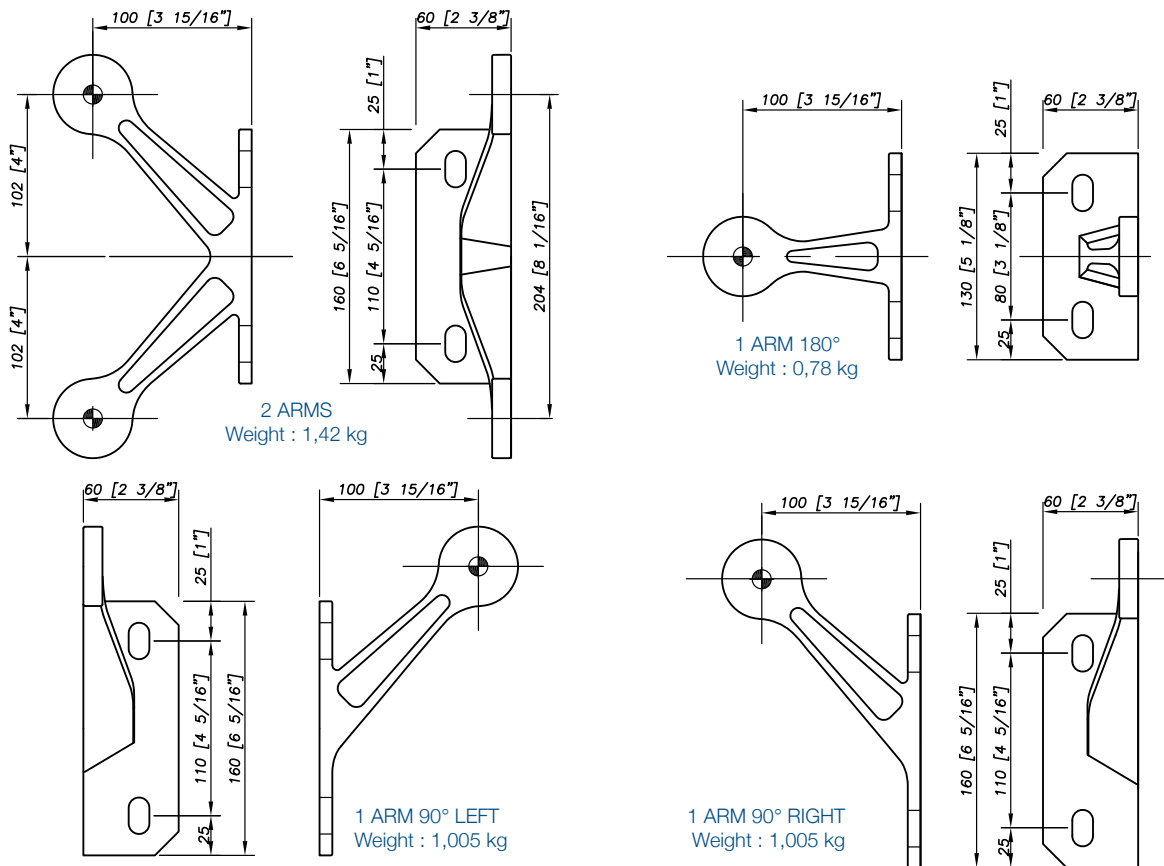
LOAD PARALLEL TO GLASS PER ARM	
1 mm (SLS*)	506 daN (1137 lb)
2 mm	761 daN (1710 lb)
Rp0,1 (ULS**)	491 daN (1103 lb)
Rp0,2	587 daN (1319 lb)

LOAD PERPENDICULAR TO GLASS PER ARM	
1 mm (SLS*)	132 daN (296 lb)
2 mm	291 daN (654 lb)
Rp0,1 (ULS**)	424 daN (953 lb)
Rp0,2	472 daN (1061 lb)

*SLS : Serviceability Limit State - load at 1 mm deformation **ULS - Ultimate Limit State : load at the elastic limit (Rp0.1). Values are given without factor of safety - Tests available online : www.sadev.com

Configuration

GLASS SIDE VIEW



Represents a fixed point Ø17 mm, a slotted point Ø17x24mm, or a free point Ø24mm depending on the position of the spider on the façade (see suggested mounting instructions at the end of the chapter).

Suggested mounting instruction

The fixing of the spider is done with a M16 or a M12 bolt (out of Sadev supply). The slotted holes Ø17 x 24mm and free holes Ø24mm in the spider are not to be used to adjust the spider! They are needed to absorb the manufacturing tolerances and the thermal deformation of the glass and of the structure. The spiders are standardized for M14 fittings (FXR, FXV). Other diameters are available on request.

SADEV recommends using thread locking compound, except in case of specific mounting constraints.