



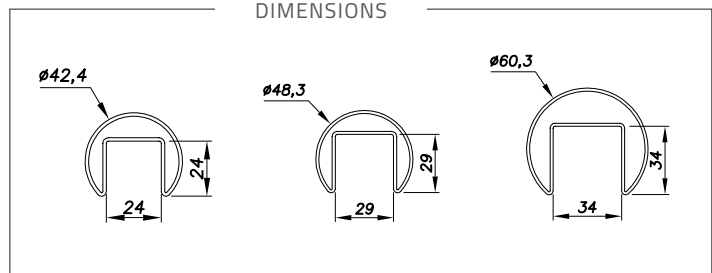
PROFILE - TUBE WITH SLOT FOR GLASS 5m
Ref. **00102042500**

HANDRAILS ON GLASS

TECHNICAL DATA

| Reference | Material | Diameter |
|---------------|---------------------|----------|
| 00102042500 | Stainless Steel 304 | 42,4 mm |
| 00102042500A4 | Stainless Steel 316 | 42,4 mm |
| 00102048500 | Stainless Steel 304 | 48,3 mm |
| 00102048500A4 | Stainless Steel 316 | 48,3 mm |
| 0010 2060500 | Stainless Steel 304 | 60,3 mm |
| 00102060500A4 | Stainless Steel 316 | 60,3 mm |

DIMENSIONS



EPDM SEALS
Ref. **00102410135**



CAPS
Ref. **00102042500**

TECHNICAL DATA

| Reference | Glass thickness | Diameter |
|-------------|-----------------|----------|
| 00102410135 | 10 > 13,5 mm | |
| 00102415175 | 15 > 17,5 mm | 42,4 mm |
| 00102419215 | 19 > 21,5 mm | |
| 00102910135 | 10 > 13,5 mm | |
| 00102915175 | 15 > 17,5 mm | 48,3 mm |
| 00102919215 | 19 > 21,5 mm | |
| 00102921255 | 21,5 > 25,5 mm | |
| 00103415175 | 15 > 17,5 mm | |
| 00103419215 | 19 > 21,5 mm | 60,3 mm |
| 00103421255 | 19 > 25,5 mm | |

TECHNICAL DATA

| Reference | Material | Diameter |
|--------------|---------------------|----------|
| 0010204210 | Stainless Steel 304 | 42 mm |
| 0010204210A4 | Stainless Steel 316 | 42 mm |
| 0010204810 | Stainless Steel 304 | 48 mm |
| 0010204810A4 | Stainless Steel 316 | 48 mm |
| 0010206010 | Stainless Steel 304 | 60 mm |
| 0010206010A4 | Stainless Steel 316 | 60 mm |



CONNECTORS 90°
Ref. **00102042500**



CONNECTORS 180°
Ref. **00102042500**

TECHNICAL DATA

| Reference | Material | Diameter |
|-------------------|---------------------|----------|
| 00 10 20 42 29 | Stainless Steel 304 | 42 mm |
| 00 10 20 42 29 A4 | Stainless Steel 316 | |
| 00 10 20 48 29 | Stainless Steel 304 | 48 mm |
| 00 10 20 48 29 A4 | Stainless Steel 316 | |
| 00 10 20 60 29 | Stainless Steel 304 | 60 mm |
| 00 10 20 60 29 A4 | Stainless Steel 316 | |

TECHNICAL DATA

| Reference | Material | Diameter |
|--------------|---------------------|----------|
| 0010204220 | Stainless Steel 304 | 42 mm |
| 0010204220A4 | Stainless Steel 316 | |
| 0010204820 | Stainless Steel 304 | 48 mm |
| 0010204820A4 | Stainless Steel 316 | |
| 0010206020 | Stainless Steel 304 | 60 mm |
| 0010206020A4 | Stainless Steel 316 | |



ALUMINUM U CAP RAIL
Ref. **00102042500**

TECHNICAL DATA

| Reference | Lenght | Glass thickness |
|---------------|----------|-----------------|
| 0010201908250 | 2 500 mm | 8.8 |
| 0010201908500 | 5 000 mm | |
| 0010202308250 | 2 500 mm | 10.10 |
| 0010202308500 | 5 000 mm | |
| 0010202708250 | 2 500 mm | 12.12 |

Possible finishes for this product :



ANODIZED ALUMINIUM
Code : 01



BRUSH EFFECT ALUMINIUM
Code : 02



RAL
Code : 03

HANDRAIL BRACKETS

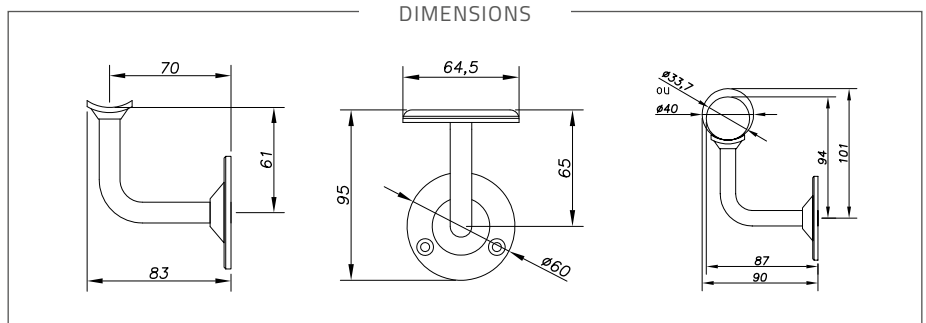
Handrails and railing accessories to complete you project (stairs, banisters, etc).
There are different solutions to suit your style and project.



FIXED HANDRAIL BRACKET
Ref. 00101000

TECHNICAL DATA

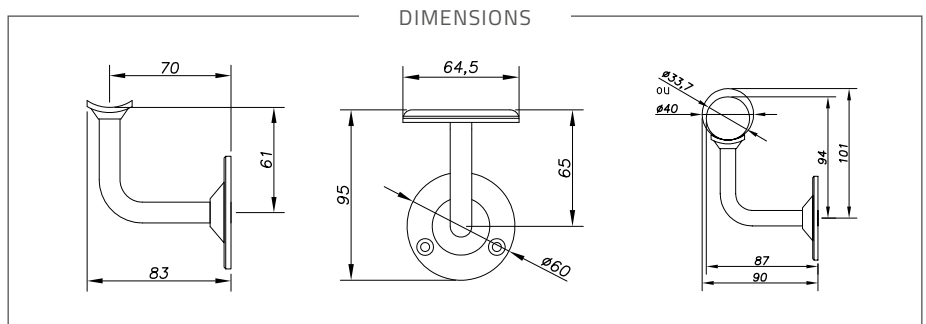
| Reference | Material |
|------------|---------------------|
| 00101000 | Stainless Steel 304 |
| 00101000A4 | Stainless Steel 316 |



ADJUSTABLE HANDRAIL BRACKET
Ref. 00101500

TECHNICAL DATA

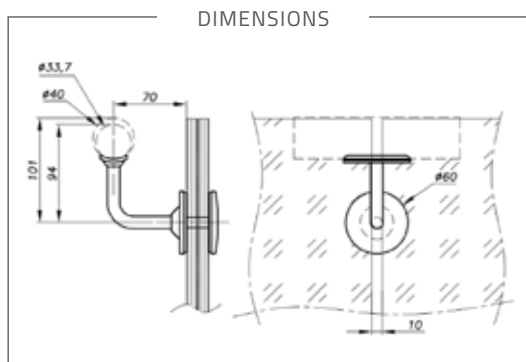
| Reference | Material |
|-----------|---------------------|
| 00101500 | Stainless Steel 304 |



CLAMPED HANDRAIL SUPPORT
Ref. 00101500

TECHNICAL DATA

| Reference | Glass thickness |
|---------------|-----------------|
| 00101030-1218 | 12 > 17,5 mm |
| 00101030-1926 | 18 > 25,5 mm |



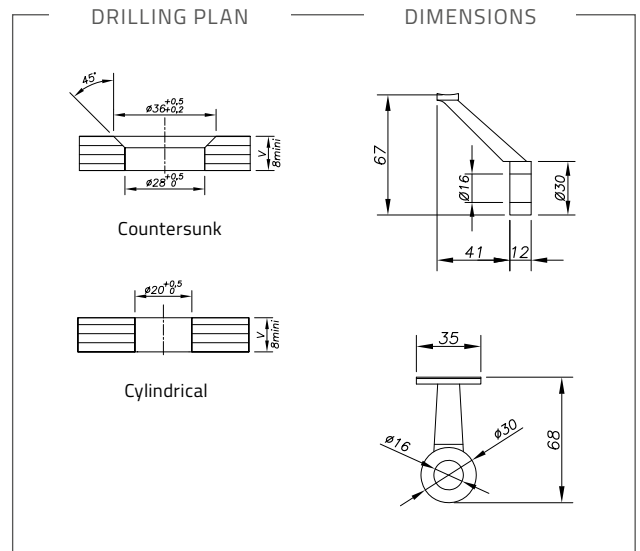


HAND RAIL BRACKET ON GLASS

Ref. 001020061116

TECHNICAL DATA

| Reference | Glass thickness | Drilling Plan |
|--------------|-----------------|---------------|
| 001020061116 | 10 > 10,5 mm | Countersunk |
| 001020061120 | 16 > 19,5 mm | |
| 001020061124 | 20 > 21,5 mm | |
| 001020062424 | 10 > 10,5 mm | Cylindrical |
| 001020062432 | 16 > 19,5 mm | |
| 001020062436 | 20 > 21,5 mm | |

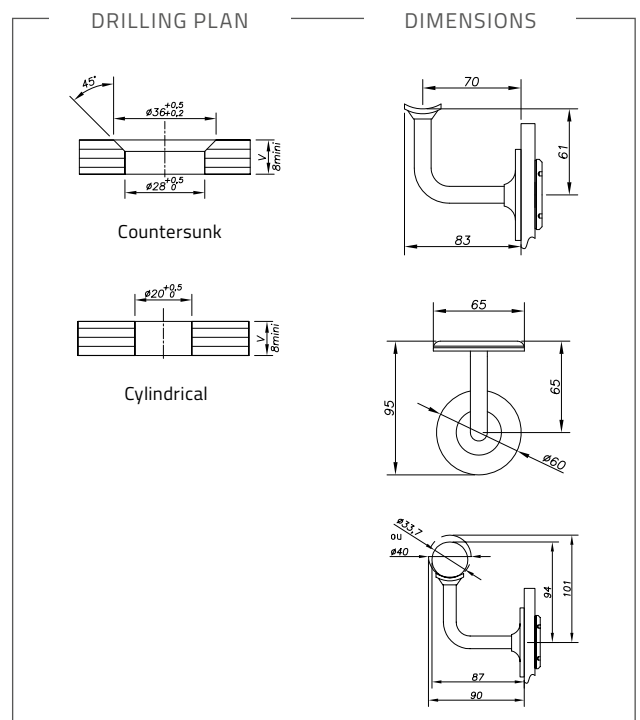


HAND RAIL BRACKET ON GLASS

Ref. 00101006111004

TECHNICAL DATA

| Reference | Glass thickness | Drilling Plan |
|----------------|-----------------|---------------|
| 00101006111004 | 11,5 > 13,5 mm | Countersunk |
| 00101006111006 | 14 > 15,5 mm | |
| 0010100611110 | 16 > 17,5 mm | |
| 0010100611112 | 18 > 19,5 mm | |
| 0010100611114 | 20 mm | Cylindrical |
| 001010062412 | 10 > 12 mm | |
| 001010062414 | 13 > 15,5 mm | |
| 001010062420 | 16 > 17,5 mm | |
| 001010062422 | 18 > 19,5 mm | |
| 001010062424 | 20 mm | |





STAINLESS STEEL PIPE Ø 33,7 mm

Ref. **00103033200**

TECHNICAL DATA

| Reference | Material | Reference | Material | Standard length |
|-------------|---------------------|---------------|---------------------|-----------------|
| 00103033200 | Stainless Steel 304 | 00103033200A4 | Stainless Steel 316 | 2 000 mm |
| 00103033400 | | 00103033400A4 | | 4 000 mm |
| 00103033600 | | 00103033600A4 | | 6 000 mm |



STAINLESS STEEL PIPE Ø 42,4 mm

Ref. **00103042200**

TECHNICAL DATA

| Reference | Material | Reference | Material | Standard length |
|-------------|---------------------|---------------|---------------------|-----------------|
| 00103042200 | Stainless Steel 304 | 00103042200A4 | Stainless Steel 316 | 2 000 mm |
| 00103042400 | | 00103042400A4 | | 4 000 mm |
| 00103042600 | | 00103042600A4 | | 6 000 mm |



STAINLESS STEEL PIPE Ø 48,3 mm

Ref. **00103048200**

TECHNICAL DATA

| Reference | Material | Reference | Material | Standard length |
|---------------|---------------------|---------------|---------------------|-----------------|
| 00103048200 | Stainless Steel 304 | 00103048200A4 | Stainless Steel 316 | 2 000 mm |
| 00103048400 | | 00103048400A4 | | 4 000 mm |
| 00103048600A4 | | 00103048600A4 | | 6 000 mm |



END CAPS Ref. 0010303310

TECHNICAL DATA

| Reference | Material | Diameter | Reference | Material | Diameter | Reference | Material | Diameter |
|--------------|---------------------|----------|--------------|---------------------|----------|--------------|---------------------|----------|
| 0010303310 | Stainless Steel 304 | 33,7 | 0010304210 | Stainless Steel 304 | 42,4 | 0010304810 | Stainless Steel 304 | 48,6 |
| 0010303310A4 | Stainless Steel 316 | | 0010304210A4 | Stainless Steel 316 | | 0010304810A4 | Stainless Steel 316 | |

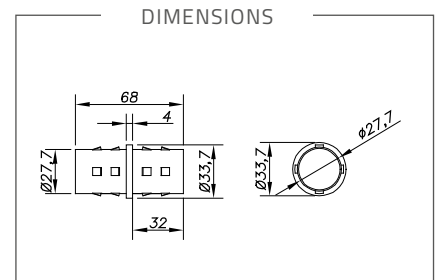


180° PIPE CONNECTOR Ref. 0010303320

TECHNICAL DATA

| Reference | Material | Diameter | Reference | Material | Diameter |
|--------------|---------------------|----------|--------------|---------------------|----------|
| 0010303320 | Stainless Steel 304 | 33,7 | 0010304220 | Stainless Steel 304 | 42,4 |
| 0010303320A4 | Stainless Steel 316 | | 0010304220A4 | Stainless Steel 316 | |

| Reference | Material | Diameter |
|--------------|---------------------|----------|
| 0010304820 | Stainless Steel 304 | 48,6 |
| 0010304820A4 | Stainless Steel 316 | |



90° PIPE CONNECTOR Ref. 0010303329

TECHNICAL DATA

| Reference | Material | Diameter | Reference | Material | Diameter |
|--------------|---------------------|----------|--------------|---------------------|----------|
| 0010303329 | Stainless Steel 304 | 33,7 | 0010304229 | Stainless Steel 304 | 42,4 |
| 0010303329A4 | Stainless Steel 316 | | 0010304229A4 | Stainless Steel 316 | |

| Reference | Material | Diameter |
|--------------|---------------------|----------|
| 0010304829 | Stainless Steel 304 | 48,6 |
| 0010304829A4 | Stainless Steel 316 | |

